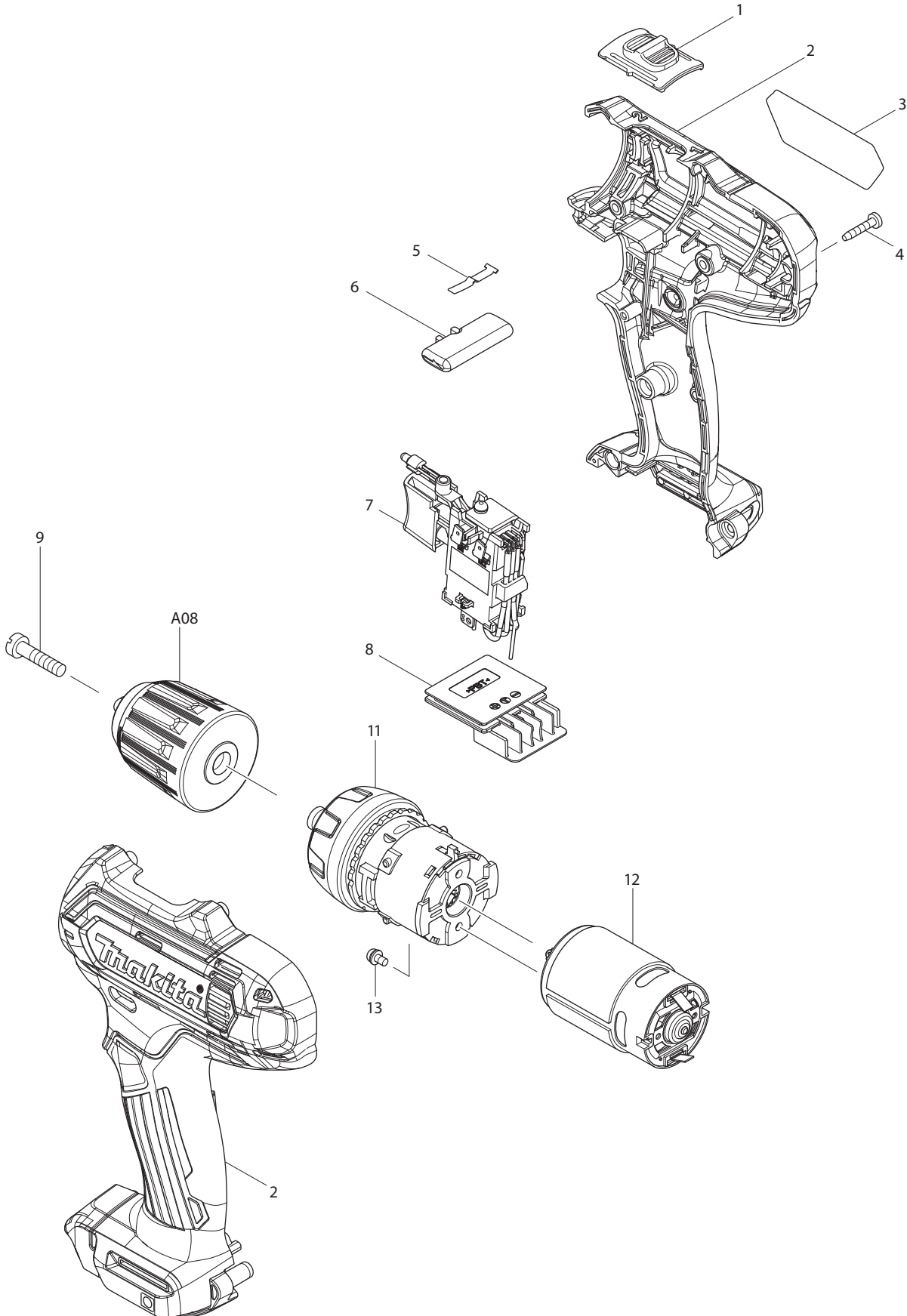




10 - 2015
DF331DSYE / DF331DZ
12V 3/8" Driver Drill



Item No.	Type	Sub	Part No.	Description	Qty	Unit
001			126233-0	SPEED CHANGE LEVER ASSEMBLY	1	PC.
		INC.	231433-0	COMPRESSION SPRING 4	2	PC.
002			183B50-3	HOUSING SET	1	PC.
		INC.	252126-6	HEX. LOCKING NUT M4-7	2	PC.
003			851H35-0	NAME PLATE F/DF331D	1	PC.
004			266429-2	TAPPING SCREW 3X16	9	PC.
005			232239-9	LEAF SPRING	1	PC.
006			456039-5	F/R CHANGE LEVER	1	PC.
007	1		632F43-6	SWITCH UNIT	1	PC.
	2		632J77-3	SWITCH UNIT	1	PC.
		INC.	620625-0	LED CIRCUIT	1	PC.
008			644813-5	TERMINAL	1	PC.
009			251451-2	- PAN HEAD SCREW M5X22	1	PC.
011	1		123503-8	GEAR ASS'Y	1	PC.
	2		127099-1	GEAR ASS'Y	1	PC.
012	1		629169-7	DC MOTOR	1	PC.
	2		629167-1	DC MOTOR	1	PC.
013			911003-8	PAN HEAD SCREW M3X6	2	PC.
100			251314-2	+ SCREW M4X12 F/HOOK (Item No. A02)	1	PC.
<u>ACCESSORIES</u>				- Visit www.makita.ca for more accessories information -		
A02			346909-5	HOOK F/ 12V LI-ION SLIDE TYPE BATTERY	1	PC.
A03			784244-7	(+) DOUBLE END BIT #2-50	1	PC.
A04			456128-6	BATTERY COVER F/ 12V LI-ION SLIDE TYPE	1	PC.
A05			DC10SB	RAPID CHARGER DC10SB	1	PC.
A06			----	12V MAX LI-ION BATTERY, SLIDE TYPE	2	PC.
A07			821661-1	PLASTIC CARRYING CASE	1	PC.
		INC.	417724-5	LATCH	2	PC.
A08			763228-8	3/8" KEYLESS DRILL CHUCK	1	PC.
A09			168467-9	HOLSTER	1	PC.
A09			T-02272	HOLSTER	1	PC.
A10			----	BIT HOLDER	1	PC.